

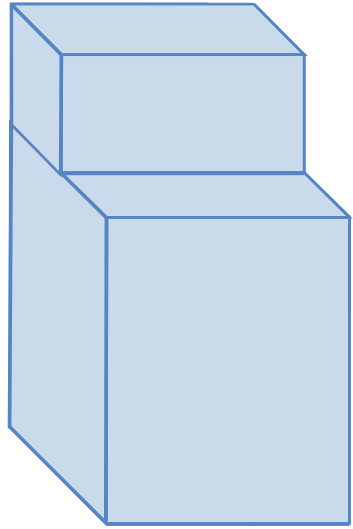
britax

ECO
TOY
BOX

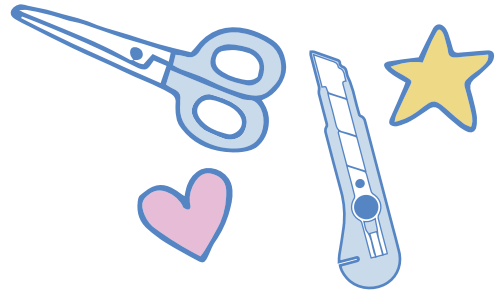
Train

Materials

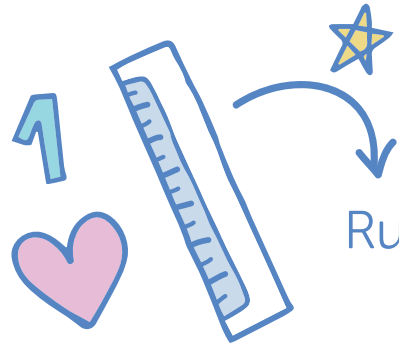
1 Cardboard Box
(from your Britax car seat)



Scissors or
Box Cutter



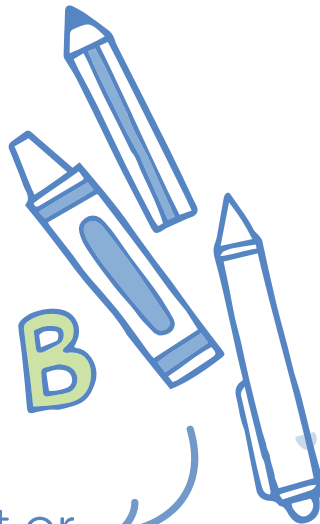
Ruler



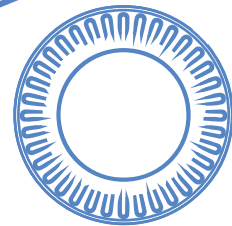
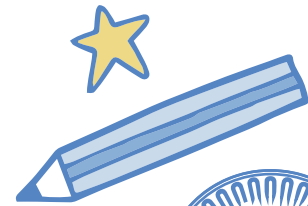
Glue



2



Pencils, crayons, paint or
other materials for decorating



8 paper plates

How To Make A Train Using A Britax Cardboard Box

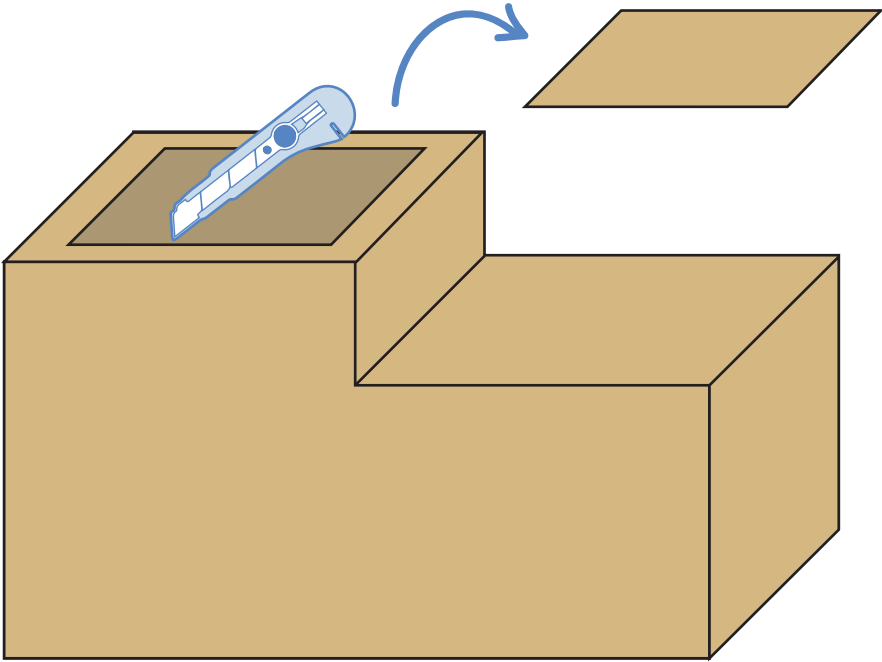
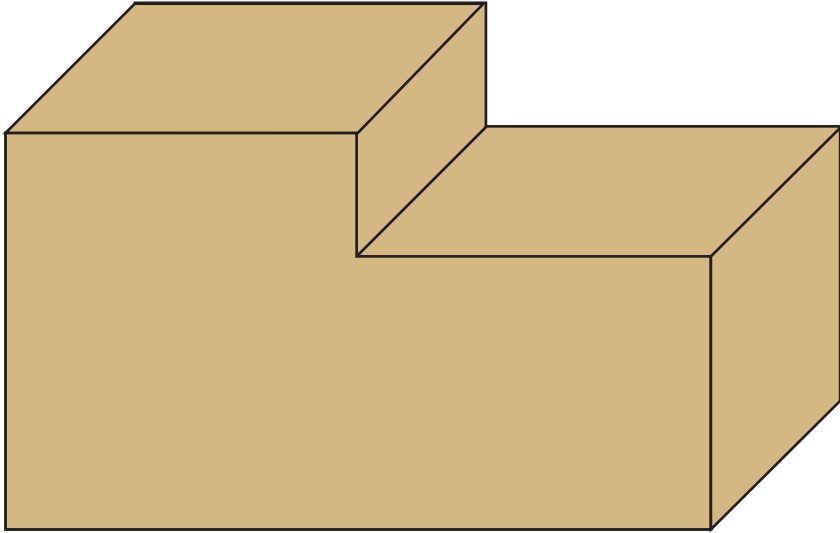


1

Take the Britax box and put it on a table to work comfortably. With the help of a ruler, measure 2 in in border and cut out a rectangle shape in the top middle section of the box.

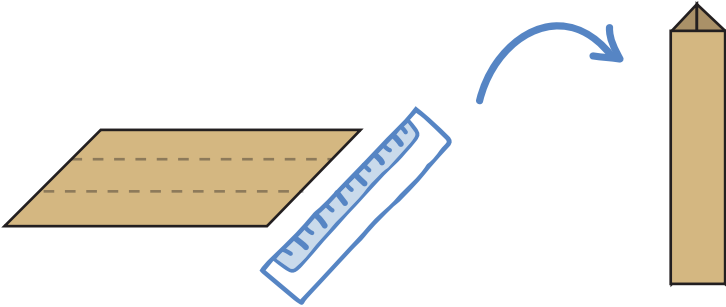


2 in



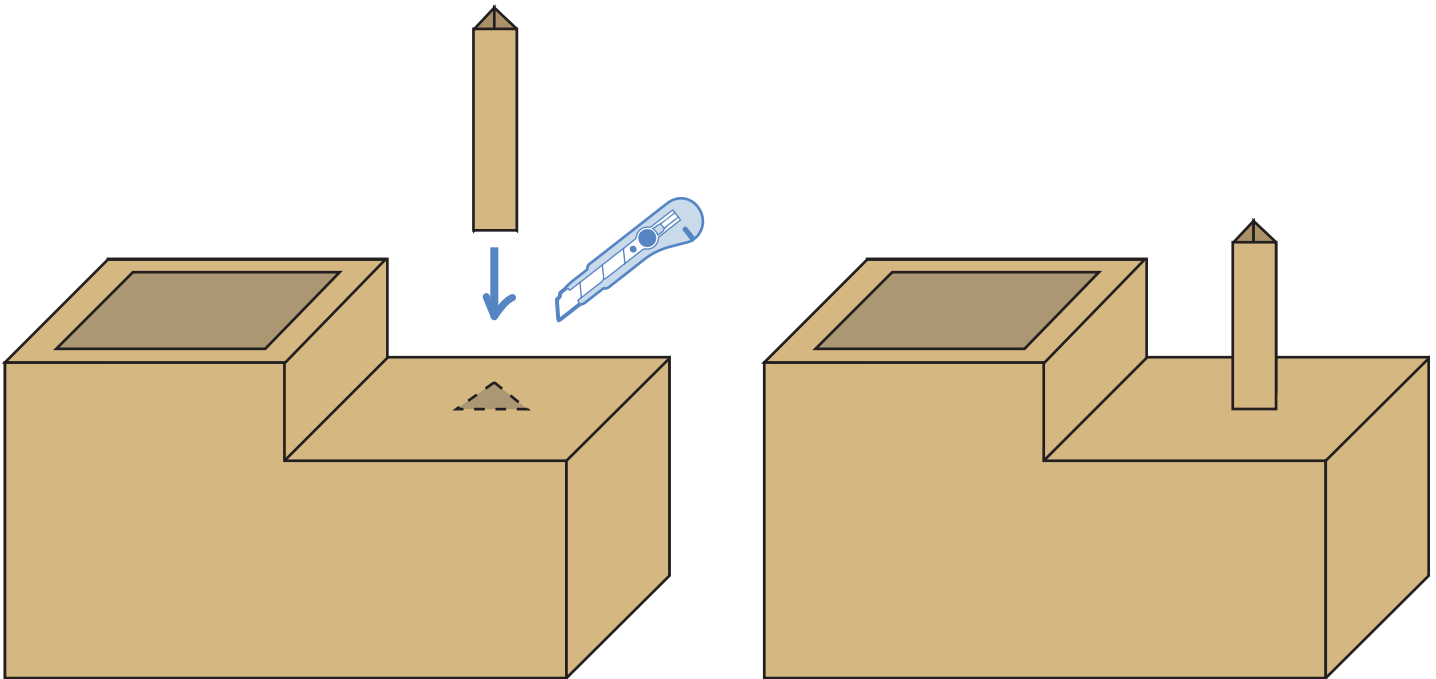
2

Divide the rectangle you took out into 3 parts (making half cuts), fold it into 3, forming a "tube" and set it aside.



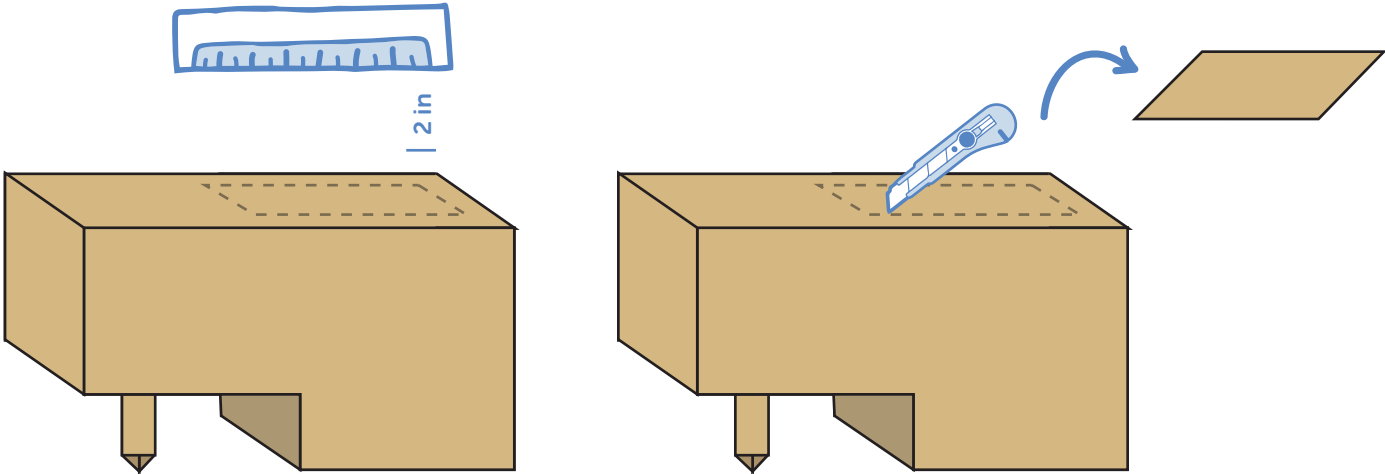
3

In the front of the train make a triangle-shaped cut and insert the "tube", forming the chimney.



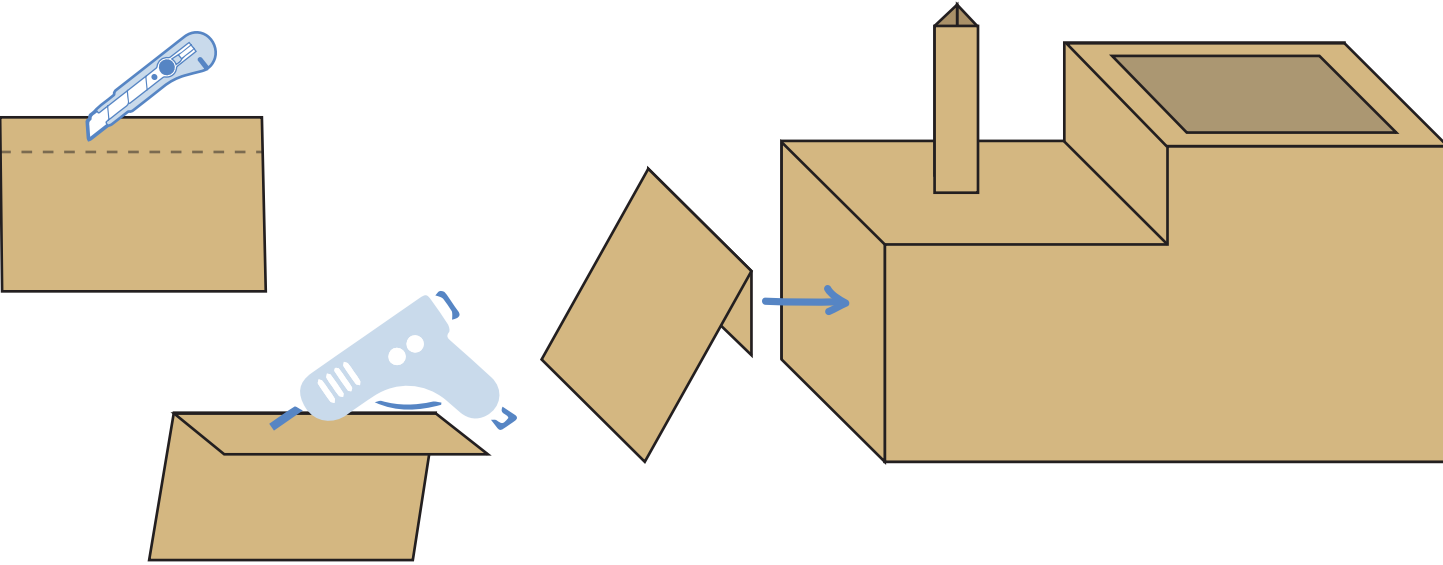
4

Turn the train upside down. Cut out a rectangle in the bottom of the box. We will use the cut-out in the front of the train.



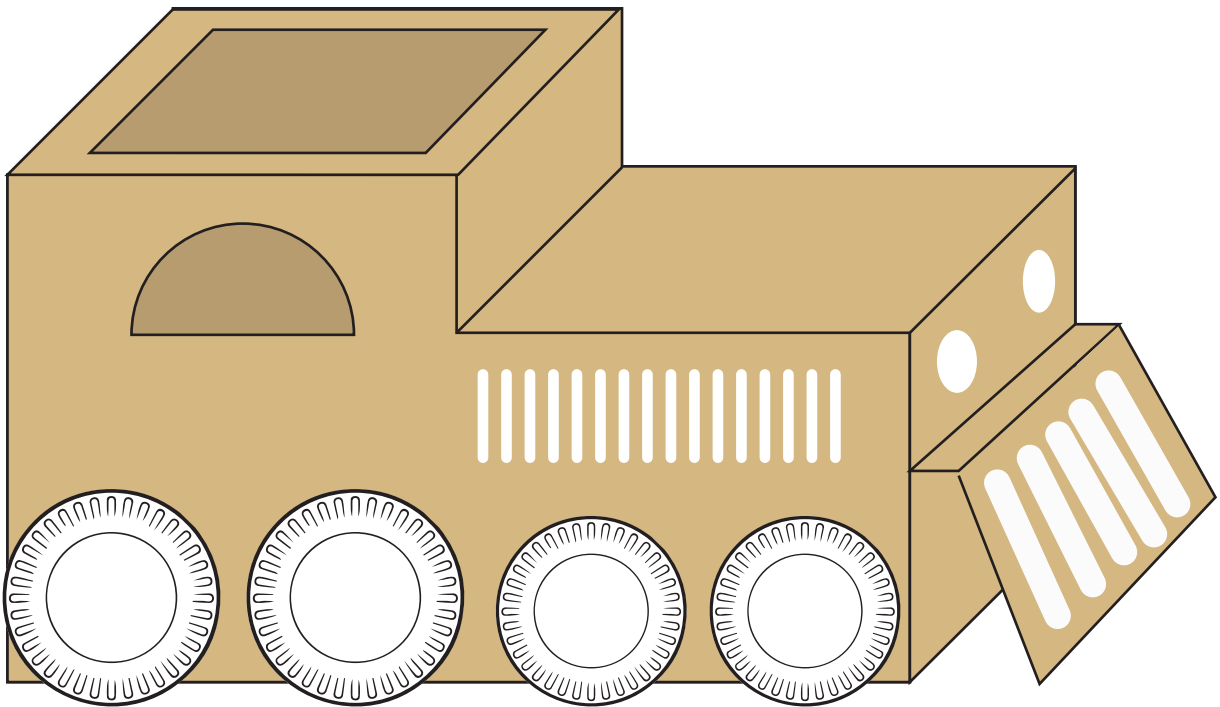
5

Take the cardboard rectangle you took out from the bottom. Make a half-cut of about 2 in parallel to the longest side and apply glue on the shortest flap. Then stick the short flap to the front face of the train.



6

Lastly, glue the paper plates to the sides to form wheels. With pencils, crayons, paint, decorate the train as you'd like!



That's how easy it is to create a train with recycled material from Britax boxes!