

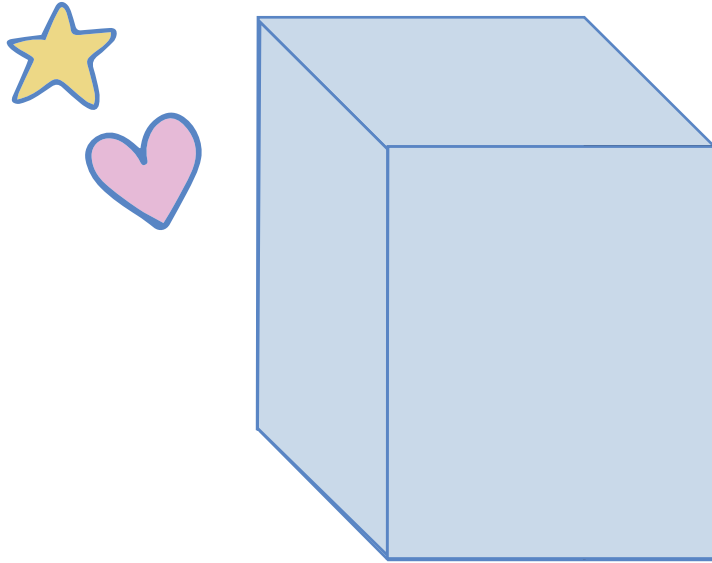
britax

ECO
TOY
BOX

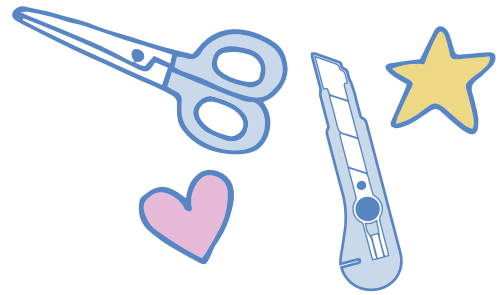
Plane

Materials

1 Cardboard Box
(from your Britax car seat)



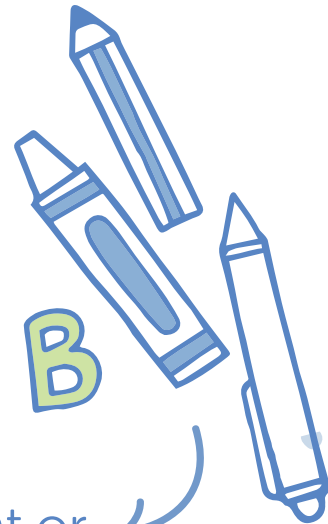
Scissors or
Box Cutter



Ruler



Glue



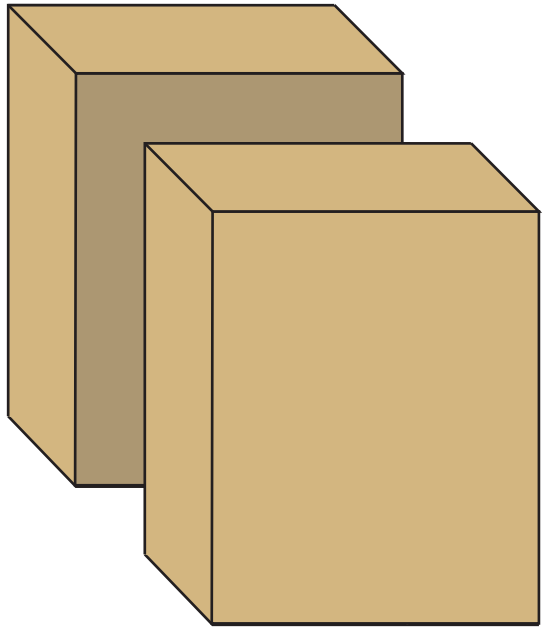
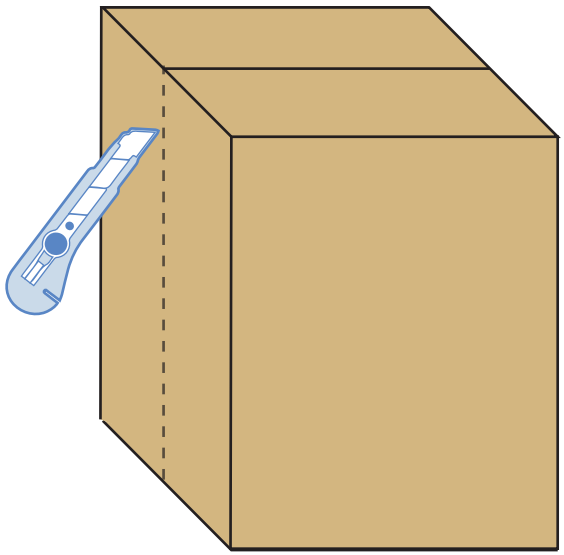
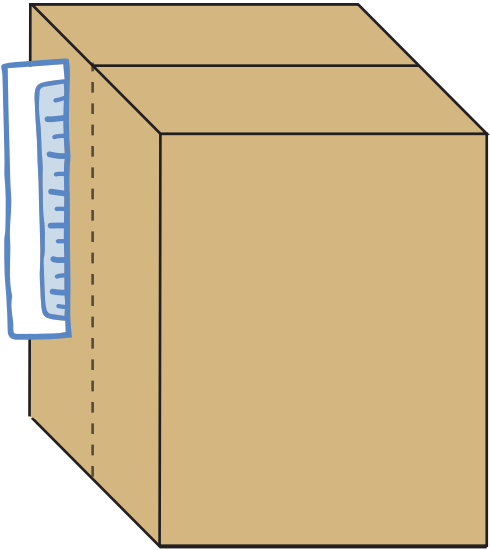
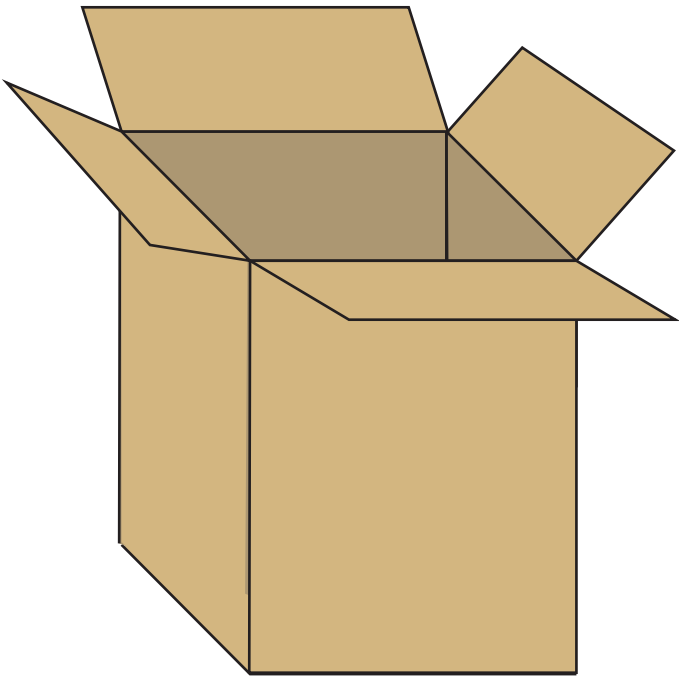
Pencils, crayons, paint or
other materials for decorating

How To Make A Plane Using A Britax Cardboard Box



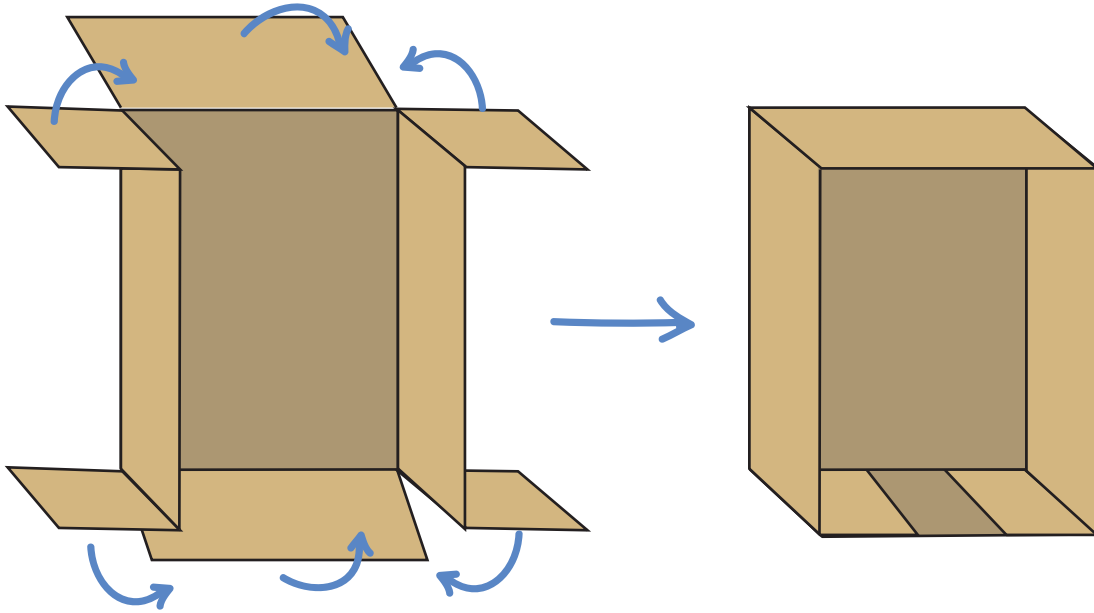
1

Take the Britax box and put it on a table to work comfortably. Close the 4 flaps of the box. A pair of flaps (the ones that come together) will define half of the box. Take that half as a reference and draw a line along the sides of the box. Then, very carefully with a box cutter and a ruler, cut the box into 2 equal halves.



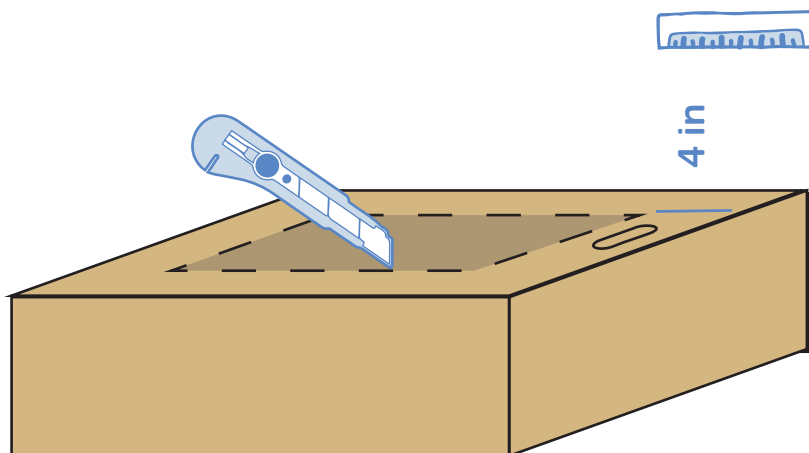
2

We will use one half as the body of the plane. Glue the flaps of one half, as shown in the figure.



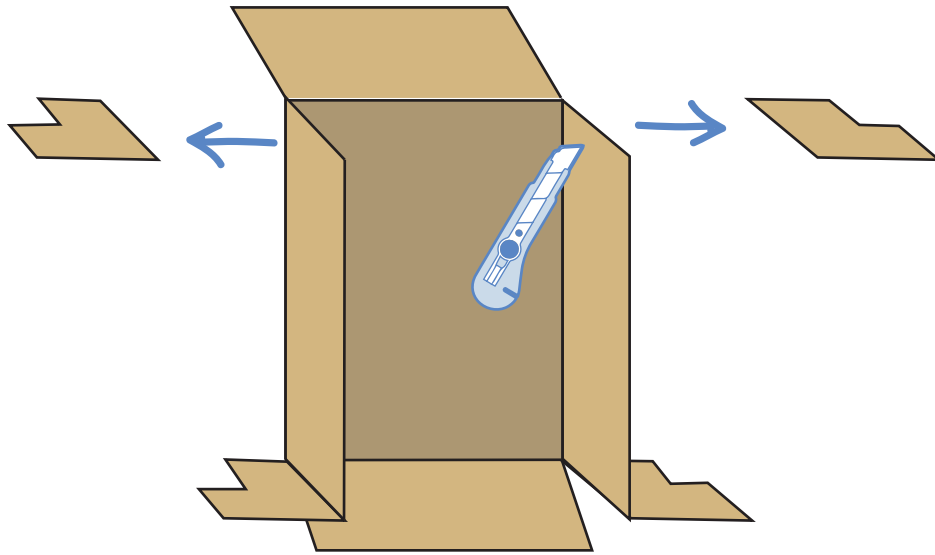
3

Cut a central rectangle in the center of the body of the plane so that the child can enter the plane and put it on the waist. We recommend leaving about 4 in edge, depending on the size of the child.



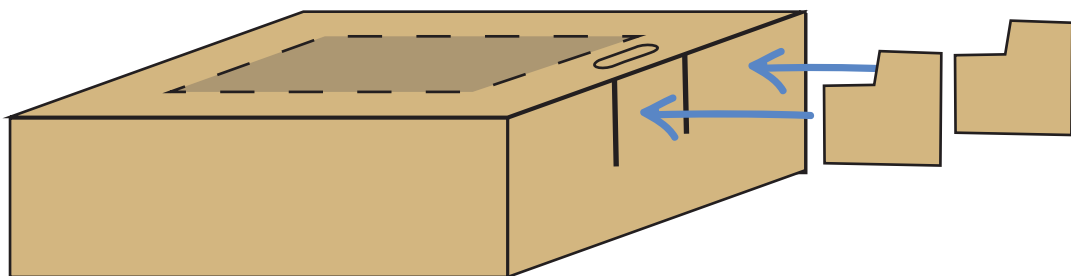
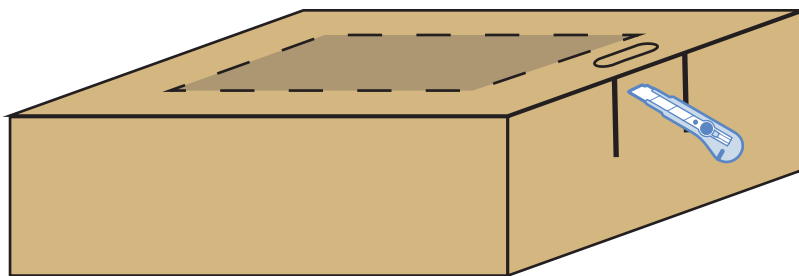
4

Cut 2 flaps from the other half to put them as spoilers on the rear.



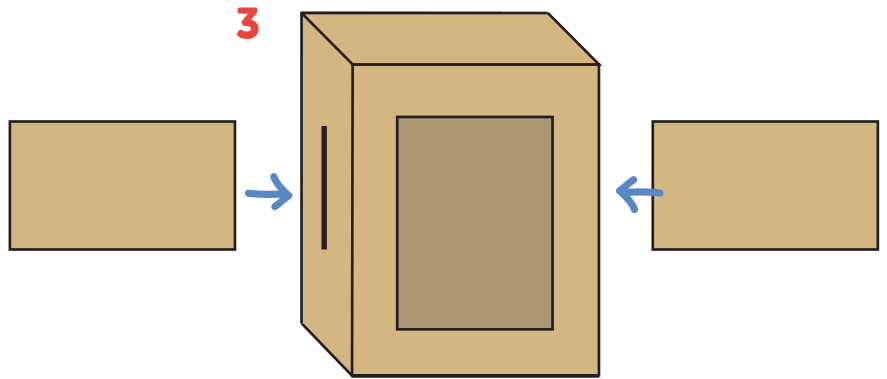
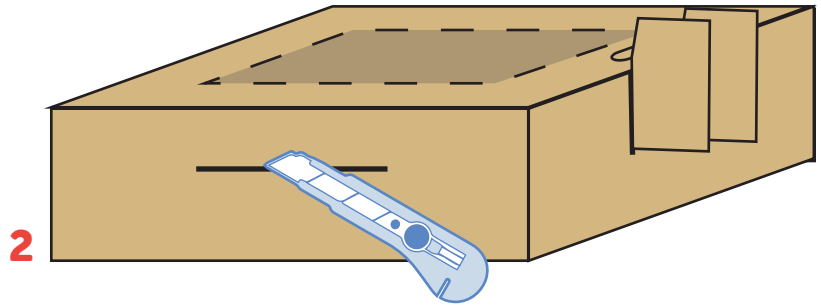
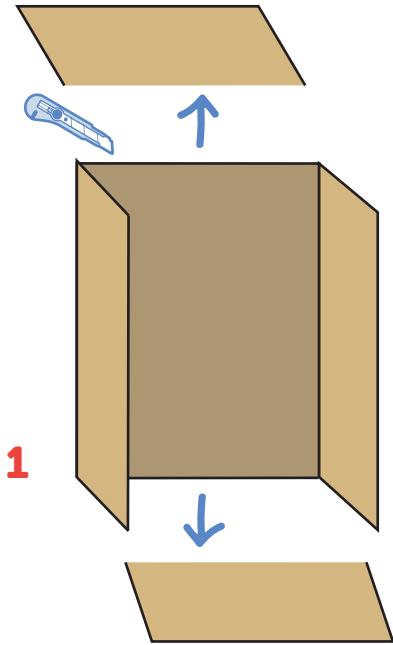
5

On the body of the plane, cut two 4 in slots on one side. Insert the spoilers into the slots.



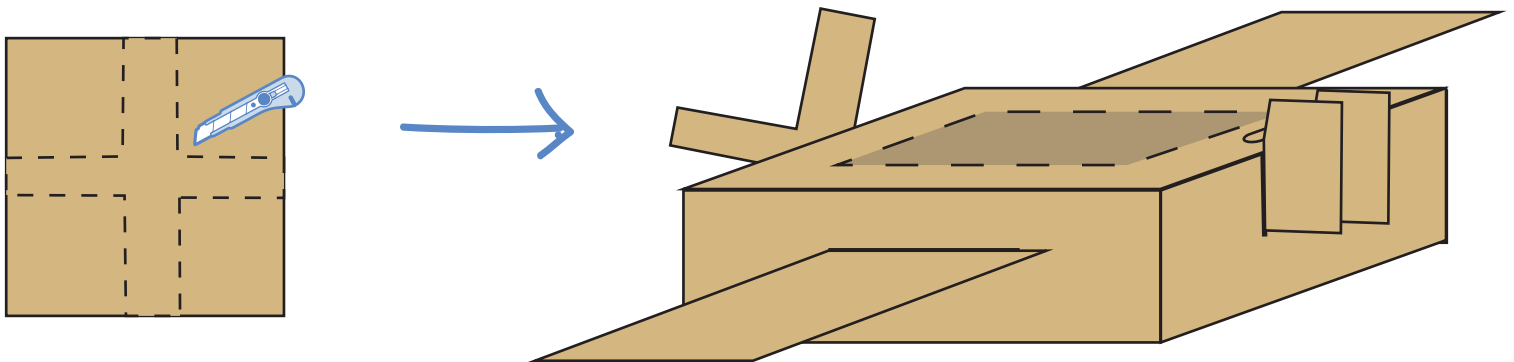
6

Cut a pair of flaps (can be the longest or shortest side of box)
Make a side cut on each sides of the plane body and insert the flaps as wings.



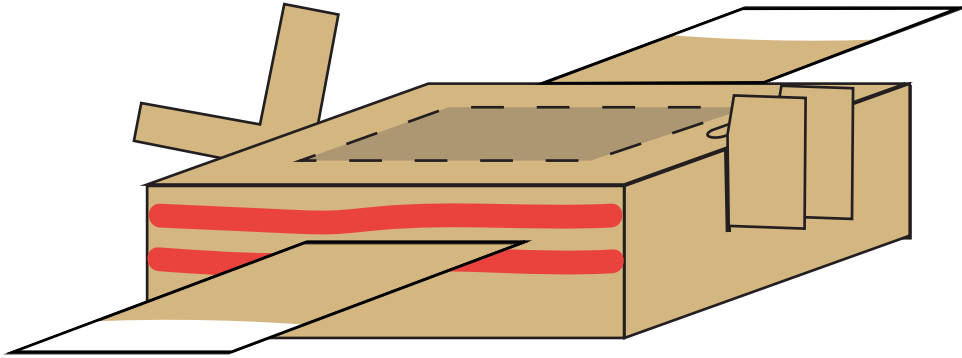
7

With any of the flaps leftover, using a ruler cut out a cross and glue it to the front of the plane (if you want it to turn we recommend a butterfly pin).





It's time to decorate! With pencils, crayons, papers, paint or whatever you have at home add color as you'd like!



That's how easy it is to create a plane with recycled material from Britax boxes!